

Clip On Safety Light With Magnetic Base

M150-LED A

Description:

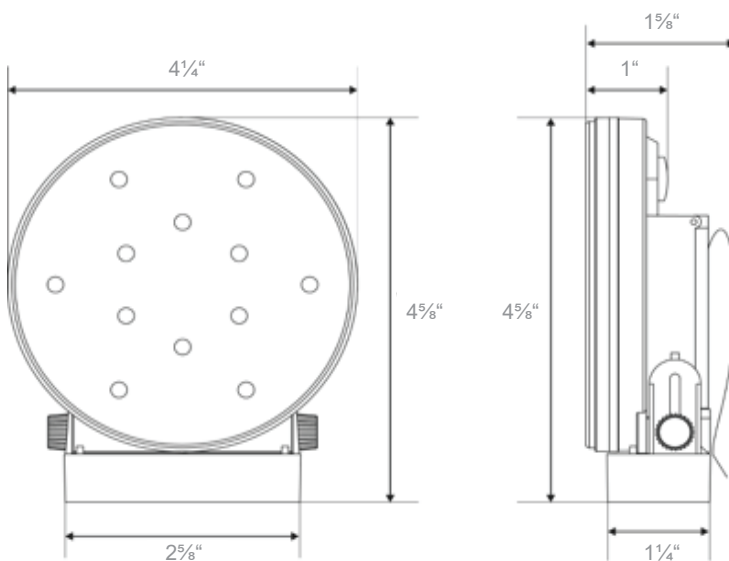
Comes with a metal belt/visor/safety cone clip, magnetic base, and angle adjusters the M150A is the perfect next generation high-viz solution.

Features:

- ▶ 3 Light patterns
- ▶ 2 Strong magnets

Specifications:

| | |
|-------------------|-----------------------|
| Run Time | 72 hrs |
| Operating Voltage | DC 3V |
| Power | 0.3W |
| Lamp Watt | 0.2 W |
| Lamp Quantity | 12 pcs |
| Viewing Angle | 180° |
| Battery | (2) AA (not included) |
| Size | 4" Diameter |



Railhead Corp.
224 Shore Court, Burr Ridge, IL 60527
800-235-1782 708-844-5500
www.railheadcorp.com