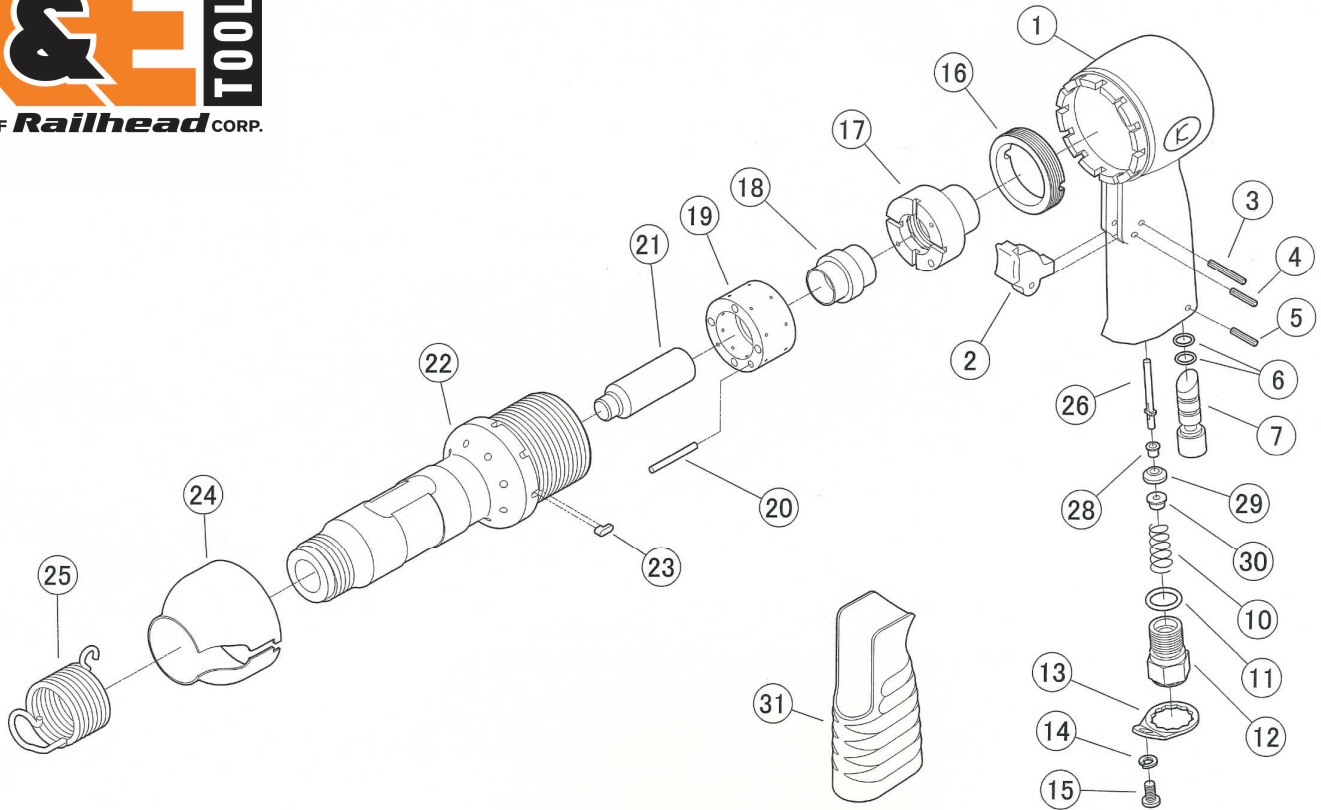


2418K / BRH-8K



REF.NO.	PART NO.	PART NAME	Q'TY	REF.NO.	PART NO.	PART NAME	Q'TY
1	H-74180	HANDLE C.P. , NPT	1	17	H-74102	VALVE SEAT	1
2	32305	THROTTLE LEVER	1	18	H-74104	VALVE	1
3	SP3X26	PIN	1	19	H-74103	VALVE CASE	1
4	SP3X16	PIN	1	20	H-74111	DOWEL PIN	1
5	SP3X18	PIN	1	21	H-74105	PISTON	1
6	P-8	O-RING	2	22	H-74109	CYLINDER	1
7	H-74117	REGULATOR VALVE	1	23	H-74110	CYLINDER LOCK PIN	1
10	14190	THROTTLE VALVE SPRING	1	24	H-74106	EXHAUST COVER	1
11	P-14	O-RING	1	25	H-74107	RETAINER	1
12	A-30	INLET BUSHING NPT	1	26	H-741131	THROTTLE VALVE PIN	1
			1	28	05160133STB	VALVE BUSHING	1
13	14109	INLET BUSHING SPACER	1	29	05160131STB	THROTTLE VALVE	1
14	M5W	WASHER	1	30	08061133	THROTTLE RECEIVER	1
15	M5X10	SCREW	1	31	H-741011	GRIP	1
16	H-74115	LOCK NUT	1				

K&E TOOLS

224 Shore Court, Burr Ridge, IL 60527

800-235-1782 Fax 708-844-5559

www.railheadcorp.com

02 2018