

Overhead Crane Safety Light

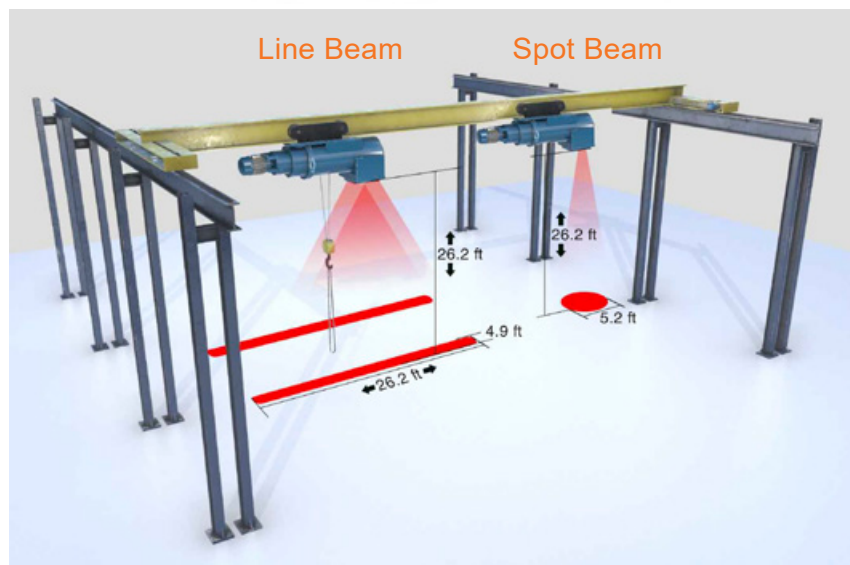
9" Spot / Line Light

Part# RH-CRANELIGHT

HELP MAKE CRANE OPERATIONS SAFER!

Description:

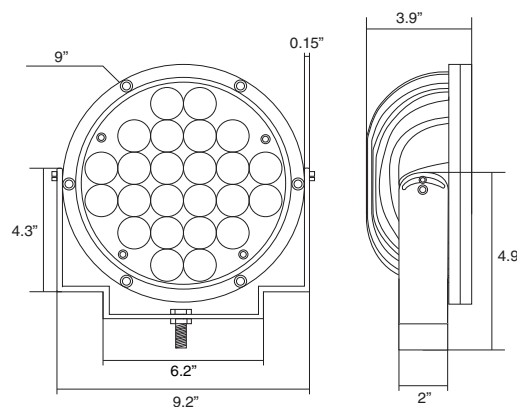
Keep your employees safe with **Railhead Overhead Crane Safety Light**. Powerful 72W LED produces a strong **Spot Beam** or **Line Beam** for your Overhead Crane operations will work well with cranes at various heights.



Specifications:

Housing Material	Aluminum
Lens Material	PC
SIZE: L x D x H	9.2" x 9" x 6.2"
Wattage	72W
Operating Voltage	9-48V DC
Working Temperature	-40°F~186°F
Color	Red
Light Beam	Spot / Line Beam Optional
Lumen	3600 lm
Life Time	50000 hr
Waterproof Rate	IP67
Mounting Bracket	Stainless Steel

*Choose Spot or Line Beam with lens cover



Railhead Corp.
224 Shore Court, Burr Ridge, IL 60527
800-235-1782 708-844-5500
www.railheadcorp.com