

# Wedge Camera



## RVS-CAM-WEDGEXX-2M

### Full HD Infrared (IR) Wedge Network Camera with Heater

Railhead's most rugged camera, the **Wedge Network Camera**, captures HD video in the most demanding of environments thanks to its IP69 and IK10 ratings. A built-in lens heater allows the camera to record in even the coldest conditions and reduces chances of fogging on the lens. High-powered IR mode improves imaging during challenging lighting conditions and makes the transition from day to night recording seamless.



#### Railhead Exclusives:



The most advanced H.265 compression on the market reduces bandwidth up to 90% and provides:

- Better live viewing
- Less storage constraints
- Faster downloads



Auto-Connect and Configure saves countless hours of installation labor and allows for trouble free maintenance without calling the IT department.



Multiple Field-of-View options ensures you always have the view you need to monitor the exterior of your rail asset. A Railhead expert can recommend the proper FoV for your application.



Configurable Options:

- Selectable H.264 or H.265 video compression rate
- Installable in any orientation for optimal viewing



**Railhead**  
SYSTEMS

Railhead Corp.  
224 Shore Court, Burr Ridge, IL 60527  
800-235-1782 708-844-5500  
[www.railheadcorp.com](http://www.railheadcorp.com)

# Wedge Camera



## RVS-CAM-WEDGEXX-2M

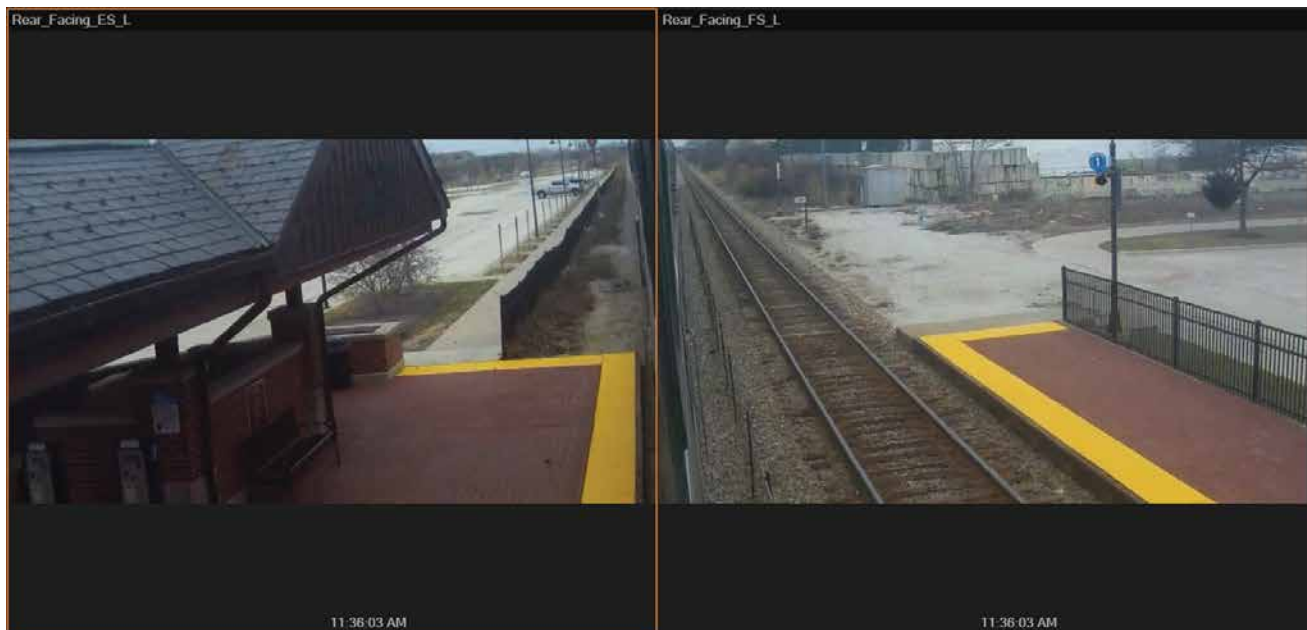


### Features and Capabilities:

- HD 1920 x 1080 resolution
- IP69 and IK10 rated for rugged environments
- Tempered glass for impact protection
- Built-in lens heater increases operating temperature range and eliminates lens fogging
- Configurable and powerful IR sensors and LEDs for high performance in low light
- NDA 889 compliant

### Applications:

- The Wedge Camera's rugged IP69 rating and tempered glass makes it ideal for exterior installation
- Replace rear view mirrors with Wedge cameras on each side of the locomotive
- Perfect for roof-top mounting for pantograph monitoring



**Railhead**  
SYSTEMS

Railhead Corp.  
224 Shore Court, Burr Ridge, IL 60527  
800-235-1782 708-844-5500  
[www.railheadcorp.com](http://www.railheadcorp.com)

# Wedge Camera



## RVS-CAM-WEDGEXX-2M

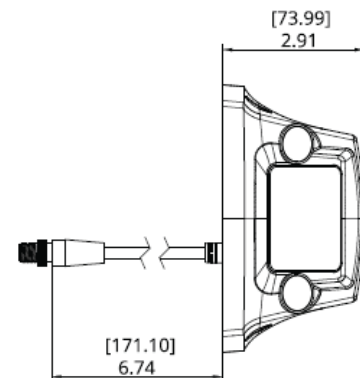
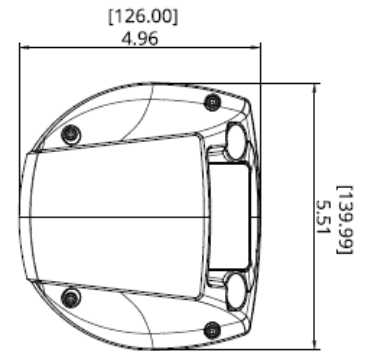
### Product Specifications:

#### Audio/Video

|                                    |   |
|------------------------------------|---|
| Image Sensor                       | 1/2.8" CMOS   |
| Max. Resolution                    | 1920p x 1080p   |
| Lens Type                          | Fixed-focal   |
| Focal Length                       | f=3.3/16mm  |
| Field of View                      | 101.3°(H) 54.5°(V) 119.7°(D) (3.3mm)<br>20.8°(H) 11.9°(V) 24.0°(D) (16mm) |
| Min. Illumination                  | Color : Color : 0.12lux @F2.0 (3.3mm)<br>Color : 0.19lux @F2.0 (16mm)     |
| Dynamic Range                      | 120dB (True WDR)  |
| Day and Night                      | IR cut filter with auto switch  |
| IR Distance (LEDs)                 | 20m   |
| Video Compression                  | H.265, H.264 (MP), M-JPEG   |
| Max. Frame Rate                    | 30ips : 1920 x 1080 (WDR)   |
| Video Streams                      | High Quality, Long-Term and Remote streams                                |
| Security                           | SSL Encryption, Multi-user Authority, IEEE 802.1x IP Filtering, HTTPS     |
| Motion Adaptive Transmission (MAT) | Off / On  |
| Audio                              | Built in Microphone (with on / off selectability)                         |

#### Environmental

|                       |   |
|-----------------------|---|
| Vandal Resistance     | IK10. With tempered glass; IK08                       |
| Ingress Protection    | IP69K   |
| Operating Temperature | -40°C ~ +60°C   |
| Operating Humidity    | 0% ~ 90%  |
| Power Consumption     | PoE, Max. 7.7W peak                                   |
| Dimensions            | 140.00mm x 73.99mm x 126.00mm (5.51" x 2.91" x 4.96") |
| Weight                | With tempered glass: 0.67Kg (1.48lbs)                 |
| Approvals             | FCC, CE, MIL-STD-810G, NDAA 889, EN50155              |



(measurements in millimeters)

Covered by one or more claims of the patents listed at [patentlist.accessadvantage.com](http://patentlist.accessadvantage.com)



Railhead Corp.  
224 Shore Court, Burr Ridge, IL 60527  
800-235-1782 708-844-5500  
[www.railheadcorp.com](http://www.railheadcorp.com)