

LED Forklift Approach Warning Light

Safe Spot

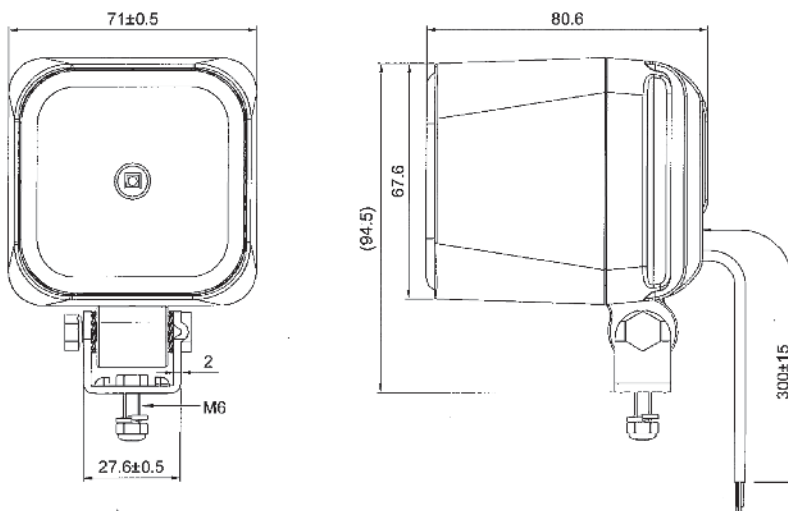
KE-BL1

Description:

The KE-BL1 alerts pedestrians of forklifts approaching blind corners or forklifts entering and exiting trailers. The Blue LED light projects an intense spotlight 10 to 20 feet ahead of the forklift to alert the pedestrian of nearby traffic. The KE-BL1 can be installed on the front or back of any forklift, sweeper or any other piece of industrial equipment.

Features:

- Input:** 10-65 DC voltage
- Light Type:** 1-3W Cree Blue LED
IP67 rate
7G Shock Resistant
- LED Life Rating:** 50,000 hours
- Size W x H x D:** 2.8" x 2.6" x 3"
- Mounting Bracket:** 140 degree swivel
- Cable Length:** 12" with clips



Railhead Corp.
224 Shore Court, Burr Ridge, IL 60527
800-235-1782 708-844-5500
www.railheadcorp.com