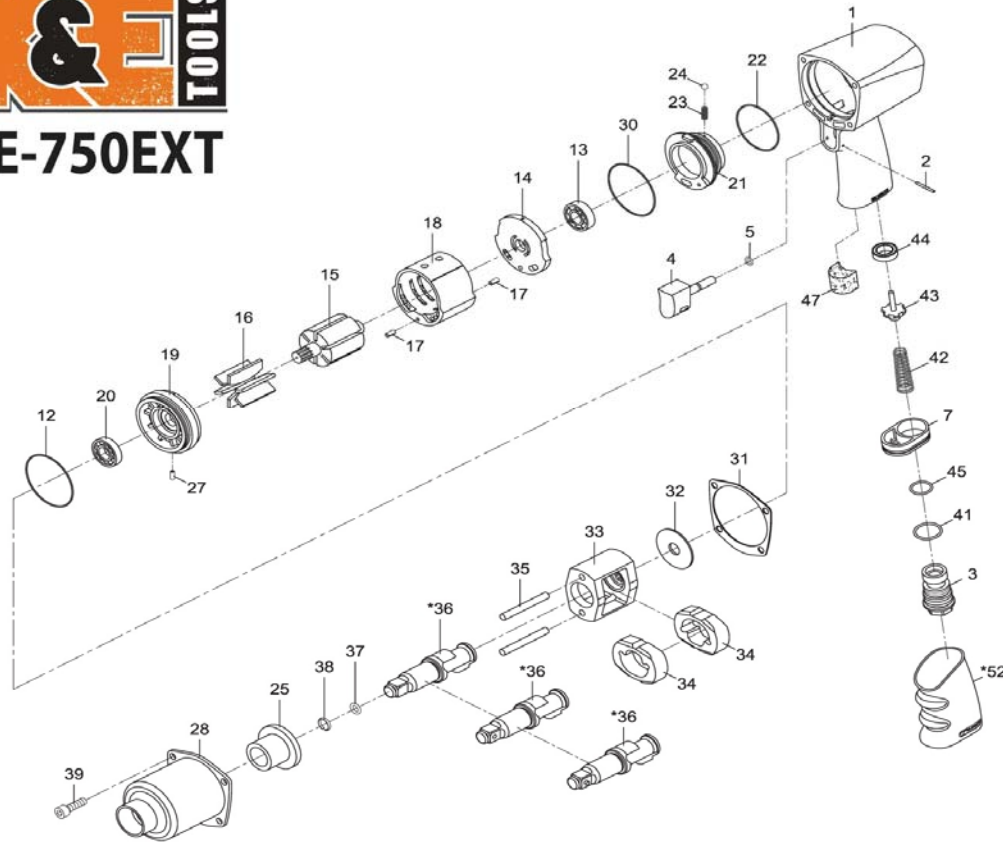


1/2" IMPACT WRENCH TWIN HAMMER



Index No.	Parts No.	Description	Q'TY	Index No.	Parts No.	Description	Q'TY
1	750-01	Motor Housing	1	25	750-25	Anvil Bushing	1
2	SP2X20	Spring Pin	1	27	SP3X6	Spring Pin	1
3	750-03	Air Inlet	1	28	750-28	Hammer Case	1
4	750-04	Trigger	1	30	750-30	O-Ring	1
5	750-05	O-Ring	1	31	750-31	Gasket	1
7	750-07	Exhaust Diffuser	1	32	750-32	Washer	1
12	750-12	O-Ring	1	33	750-33	Hammer Cage	1
13	6001ZZ	Ball Bearing	1	34	750-34	Hammer	2
14	750-14	Rear End Plate	1	35	750-35	Hammer Pin	2
15	750-15	Rotor	1	36	750-36	Anvil (R-Type 1/2")	1
16	750-16	Rotor Blade	6	37	750-37	O-Ring	1
17	SP3X8	Spring Pin	2	38	750-38	Retaining Ring	1
18	750-18	Cylinder	1	39	M6X20	Screw	4
19	750-19	Front End Plate	1	41	750-41	O-Ring	1
20	R-8	Ball Bearing	1	42	750-42	Valve Spring	1
21	750-21	Air Regulator	1	43	750-43	Valve Stem	1
22	750-22	O-Ring	1	44	750-44	Rubber Spacer	1
23	1650-23	Spring	1	45	750-45	O-Ring	1
24	750-24	Steel Ball	1	47	750-47	Muffler Material	1
				52	750-52	Rubber Grip	1