

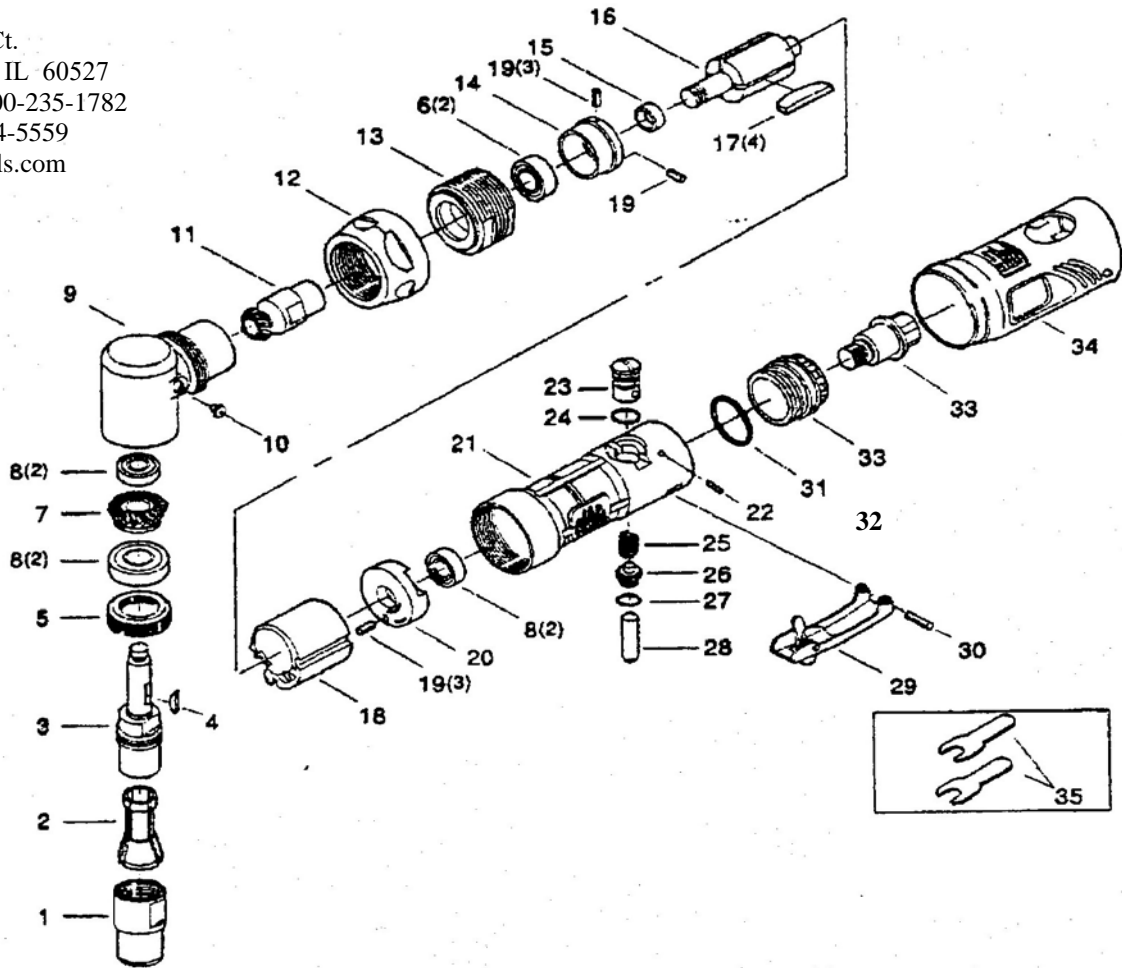
# .5HP 90° DIE GRINDER

## KE-7301



**Railhead**  
TOOLS

224 Shore Ct.  
Burr Ridge, IL 60527  
Toll Free 800-235-1782  
Fax 708-844-5559  
www.ketools.com



Index No.	Parts No.	Description	Qty per Tool	Index No.	Parts No.	Description	Qty per Tool
1	7302-01	Collet Nut	1	18	7302-18	Cylinder	1
2	730202	Collet	1	19	SP2.5X5	Spring Pin	3
3	7301-03	Spindle	1	20	7302-20	Rear End Plate	1
4	7302-04	Key	1	21	7302-22	Motor Housing	1
5	7302-05	Clamp Nut	1	22	SP2.5X20	Spring Pin	1
6	696ZZ	Ball Bearing	2	23	7302-23	Air Regulator	1
7	7301-07	Spindle Gear	1	24	P-10	O Ring	1
8	608ZZ	Ball Bearing	2	25	7302-25	Valve Spring	1
9	7301-09	Angle Head Housing	1	26	7302-26	Throttle Valve	1
10	7302-10	Grease Fitting	1	27	P-4	O Ring	1
11	7301-11	Pinion	1	28	7302-28	Valve Shaft	1
12	7302-12	Coupling Nut	1	29	7302-30	Safety Lever	1
13	7302-13	Lock Ring	1	30	SP3X22	Spring Pin	1
14	7302-14	Front End Plate	1	31	7302-32	O ring	1
15	7302-15	Bearing Spacer	1	32	7302-33	Exhaust Sleeve	1
16	7302-16	Rotor	1	33	7302-34	Inlet Bushing	1
17	7302-17	Rotor Blade	4	34	7302-28	Housing Cover	1
				35	7302-38	Spanner Wrench Set	1