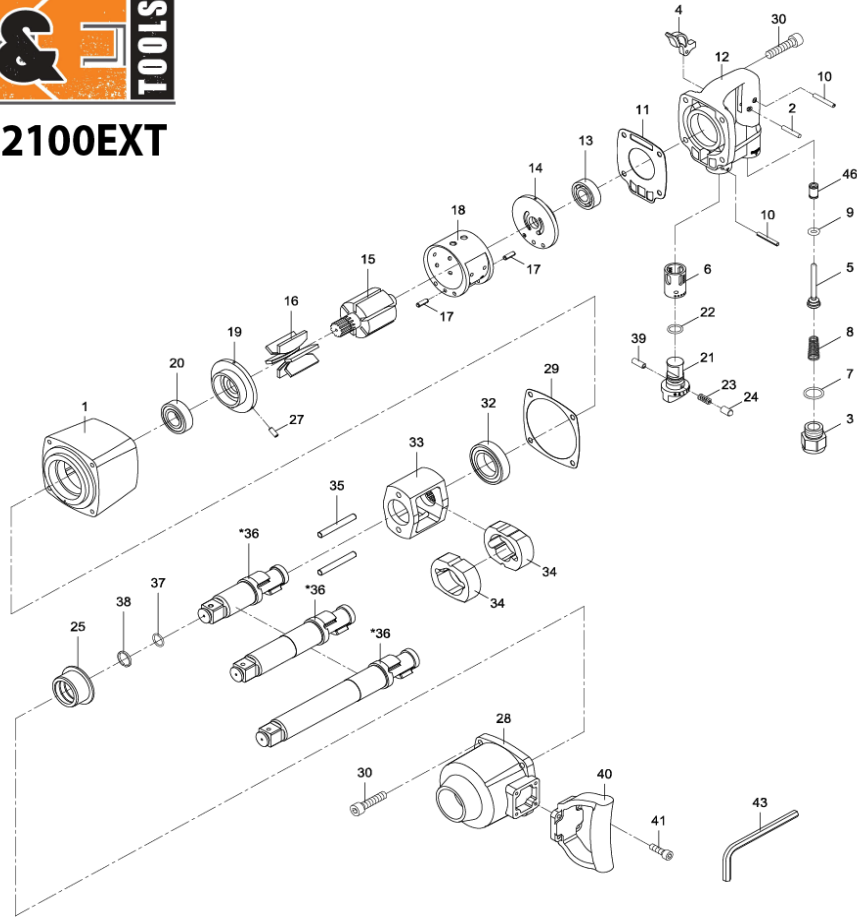


1" IMPACT WRENCH TWIN HAMMER



KE-2100EXT



Index No.	Parts No.	Description	Q'TY	Index No.	Parts No.	Description	Q'TY
1	2100-01	MOTOR HOUSING	1	21	1650-21	AIR REGULATOR	1
2	2100-02	PIN	1	22	2100-22	O-RING	1
3	1650-03	AIR INLET	1	23	1650-23	SPRING	1
4	1650-04	TRIGGER	1	24	1650-24	PIN	1
5	1650-05	VALVE STEM	1	25	2100-25	ANVIL BUSHING	1
6	1650-06	VALVE BUSHING	1	27	SP4X10	SPRING PIN	1
7	2100-07	O-RING	2	28	2100-28	HAMMER CASE	1
8	1650-08	VALVE SPRING	1	29	2100-29	GASKET	1
9	2100-09	O-RING	1	30	M8X35	SCREW	8
10	SP4X28	SPRING PIN	2	32	6008ZZ	BALL BEARING	1
11	2100-11	GASKET	1	33	2100-33	HAMMER CAGE	1
12	2100-12	REAR COVER	1	34	2100-34	HAMMER	2
13	6204ZZ	BALL BEARING	1	35	2100-35	HAMMER PIN	2
14	2100-14	REAR END PLATE	1	36	2100-36	ANVIL (8")	1
15	2100-15	ROTOR	1	37	2100-37	O-RING	1
16	2100-16	ROTOR BLADE	6	38	2100-38	RETAINER RING	1
17	SP6X18	SPRING PIN	3	39	SP3X8	SPRING PIN	1
18	2100-18	CYLINDER	1	40	2100-40	DEAD HANDLE	1
19	2100-19	FRONT END PLATE	1	41	M6X20	SCREW	4
20	6205ZZ	BALL BEARING	1	43	2100-43	HEX. KEY WRENCH	1
				46	2100-46	BUSHING	1