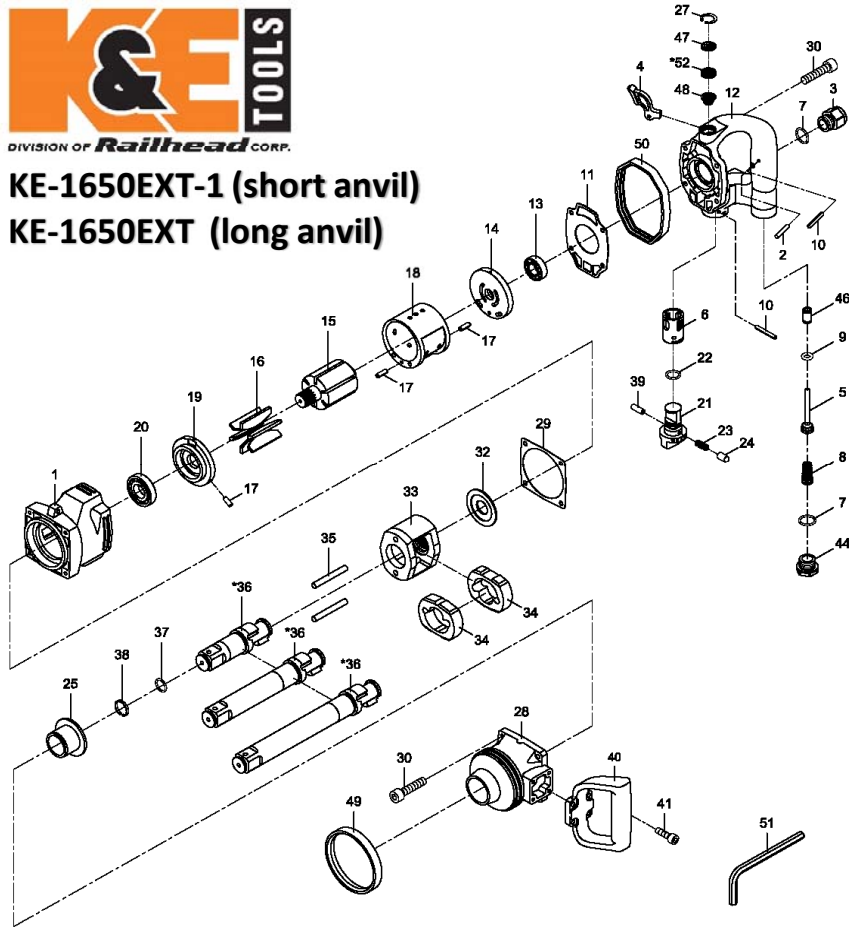


1" IMPACT WRENCH TWIN HAMMER



KE-1650EXT-1 (short anvil)
KE-1650EXT (long anvil)



INDEX NO.	PARTS NO.	DESCRIPTION	Q'TY	INDEX NO.	PARTS NO.	DESCRIPTION	Q'TY
1	1650-01	Motor Housing	1	24	1650-24	Pin	1
2	1650-02	Pin	1	25	1650-25	Anvil Bushing	1
3	1650-03	Air Inlet	1	27	RTW-22	Internal Ring	1
4	1650-04	Trigger	1	28	1650-28	Hammer Case	1
5	1650-05	Valve Stem	1	29	1650-29	Gasket	1
6	1650-06	Valve Bushing	1	30	M6X25	Screw	8
7	1650-07	O-Ring	2	32	1650-32	Washer	1
8	1650-08	Valve Spring	1	33	1650-33	Hammer Cage	1
9	1650-09	O-Ring	1	34	1650-34	Hammer	2
10	SP4X28	Spring Pin	2	35	1650-35	Hammer Pin	2
11	1650-11	Gasket	1	36a	1650-36	Anvil short (1")	1
12	1650-12	Rear Cover Only	1	36b	1650-368	Anvil (1" L=8")	1
12*	1650-12CP	Rear Cover Complete	1	37	P-18	O-Ring	1
13	6003ZZ	Ball Bearing	1	38	1650-38	Retaining Ring	1
14	1650-14	Rear End Plate	1	39	SP3X8	Spring Pin	1
15	1650-15	Rotor	1	40	1650-40	Dead Handle	1
16	1650-16	Rotor Blade	6	41	M6X20	Screw	4
17	SP4x10	Spring Pin	3	44	1650-44	Screw	1
18	1650-18	Cylinder	1	46	1650-46	Bushing	1
19	1650-19	Front End Plate	1	47	1650-47	Net	1
20	R14	Ball Bearing	1	48	1650-48	Screen	1
21	1650-21	Air Regulator	1	49	1650-49	Rubber Ring	1
22	1650-22	O-Ring	1	50	1650-50	Rubber Ring	1
23	1650-23	Spring	1	51	1650-51	Hex.Key Wrench	1

K&E Tools 224 Shore Court, Burr Ridge, IL 60527

Toll free 800-235-1782 Phone 708-844-5500 Fax 708-844-5559

www.ketools.com